



|      |       |    |
|------|-------|----|
|      | ..... | 1  |
|      | ..... | 1  |
|      | ..... |    |
| 1-1  | ..... |    |
| 1-1  | ..... |    |
| 1-   | ..... |    |
| 1-   | ..... |    |
| 1-   | ..... |    |
| 1-   | ..... | 11 |
| 1-   | ..... | 1  |
| 1-   | ..... | 1  |
| 1-   | ..... | 1  |
| 1-   | ..... | 1  |
| 1-10 | ..... | 1  |
| 1-11 | ..... |    |
| 1-1  | ..... |    |
| 1-1  | ..... |    |
| 1-1  | ..... |    |
| 1-1  | ..... |    |
| 1-1  | ..... | 0  |
| 1-1  | ..... |    |
| 1-1  | ..... |    |
|      | ..... |    |
|      | ..... |    |
| -1   | ..... |    |
| -1   | ..... |    |
| -    | ..... | 0  |
| -    | ..... | 1  |
| -    | ..... |    |
| -    | ..... |    |
| -    | ..... |    |
| -    | ..... |    |
| -    | ..... | 1  |
| -10  | ..... |    |
| -11  | ..... |    |
| -1   | ..... |    |
| -1   | ..... |    |
| -1   | ..... | 1  |
| -1   | ..... |    |
| -1   | ..... |    |
| -1   | ..... |    |
| -1   | ..... |    |
|      | ..... | 0  |



[ 2014] 55

- 1.
- 2.
- 3.
- 4.

--

--

|  |  | 1-1 | 1 | 1-1 | 1-1 |
|--|--|-----|---|-----|-----|
|  |  | -1  | 1 | -1  | -1  |
|  |  | -1  | 1 | -1  | -1  |

1

I/O

C

/

Kei I C

2

1

/ /

Kei I C

MCU

/ /

2

6S (

)

/

3

120

4

|    |  |    |   |   |
|----|--|----|---|---|
|    |  |    |   |   |
|    |  |    |   |   |
| 20 |  | 10 | 0 |   |
|    |  |    |   | 1 |
|    |  |    |   | 2 |
|    |  | 10 |   | 3 |
|    |  |    |   | 4 |
|    |  |    | 5 |   |

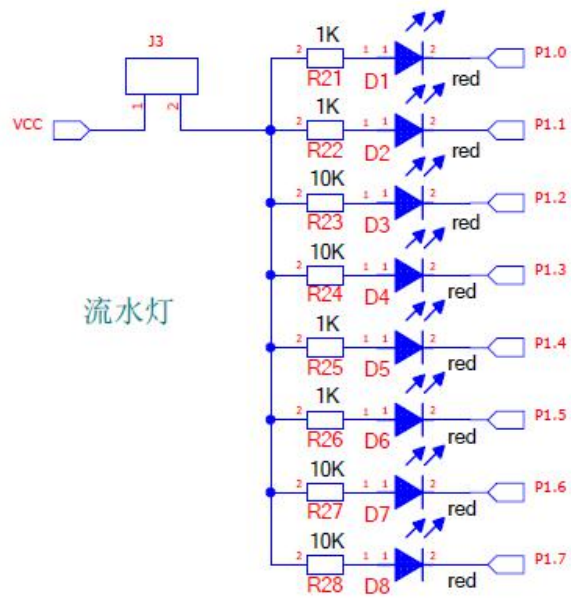
10

5

30

ro

1



2

PCB

E

3

1



2

PCB  
E

3

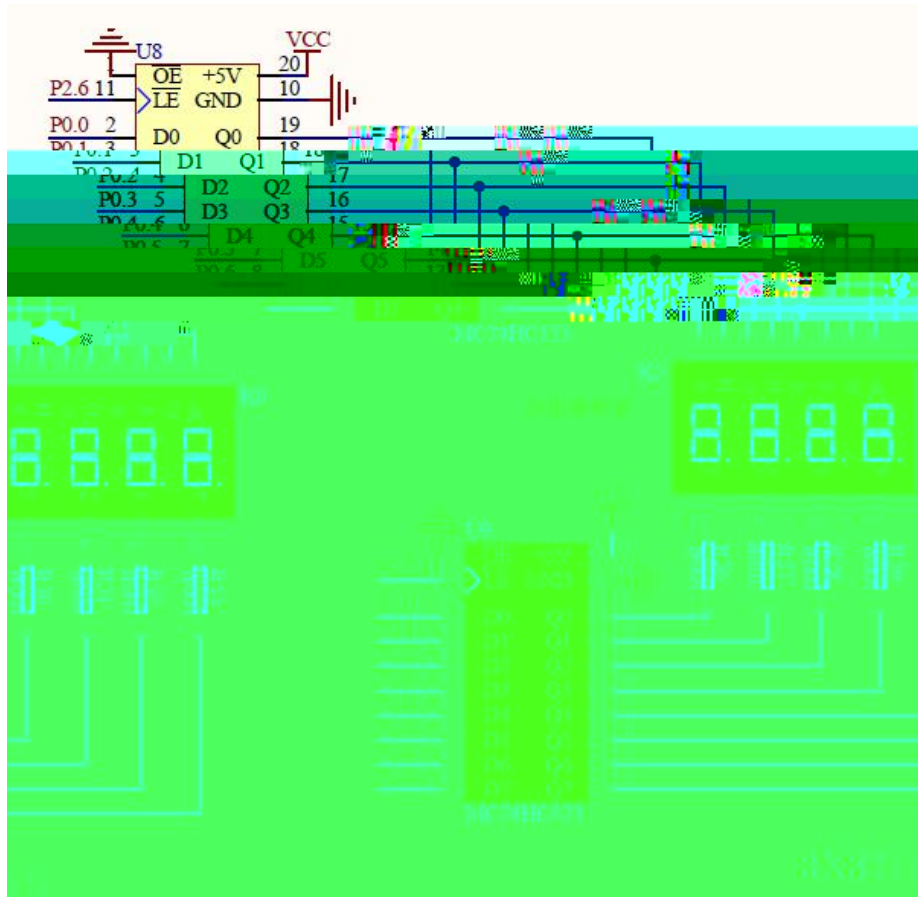








1



2

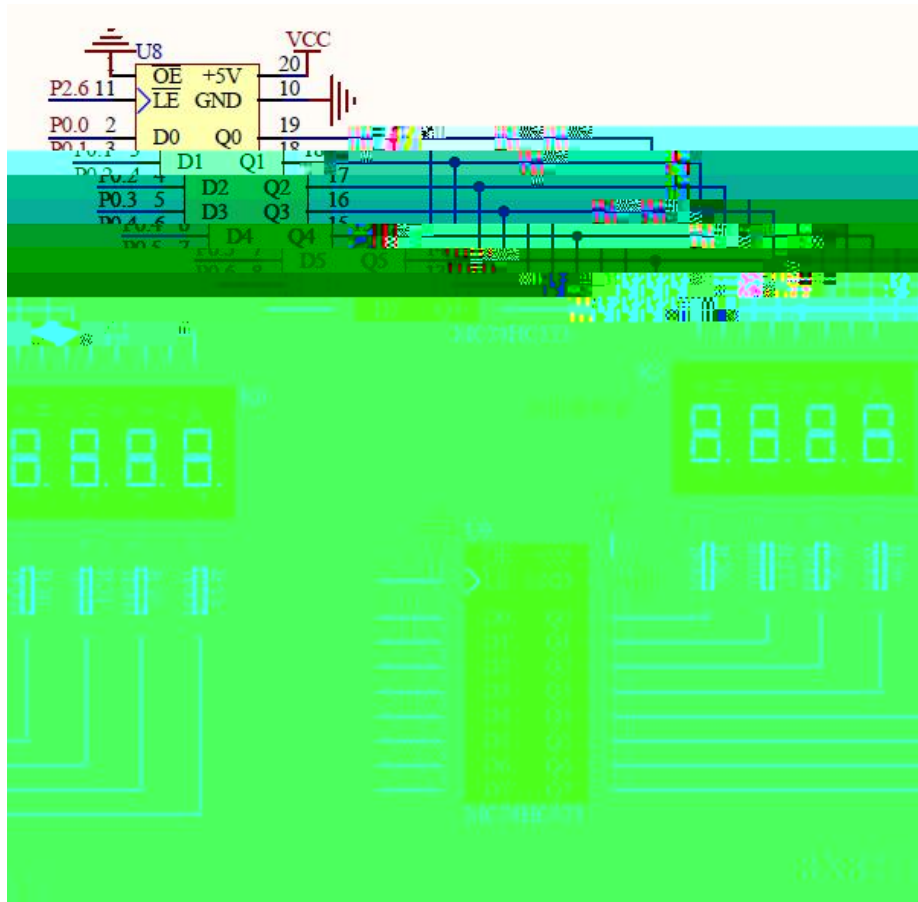
PCB

E

3



1



2

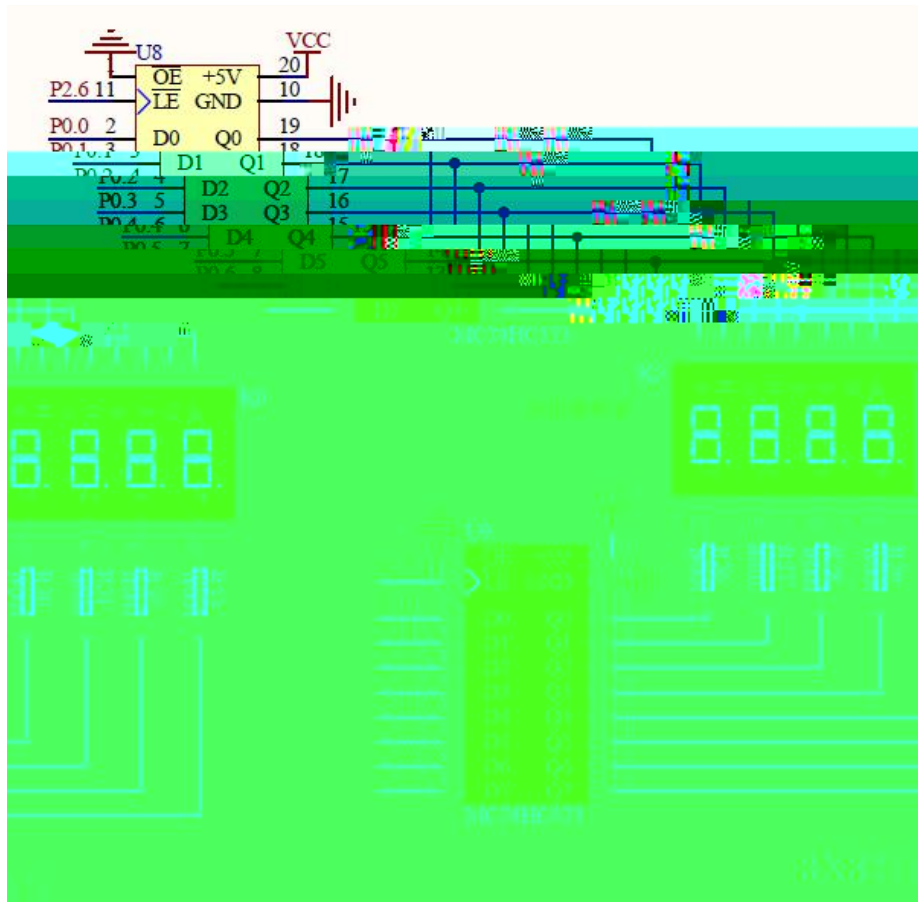
PCB

E

3



1



2

PCB

E

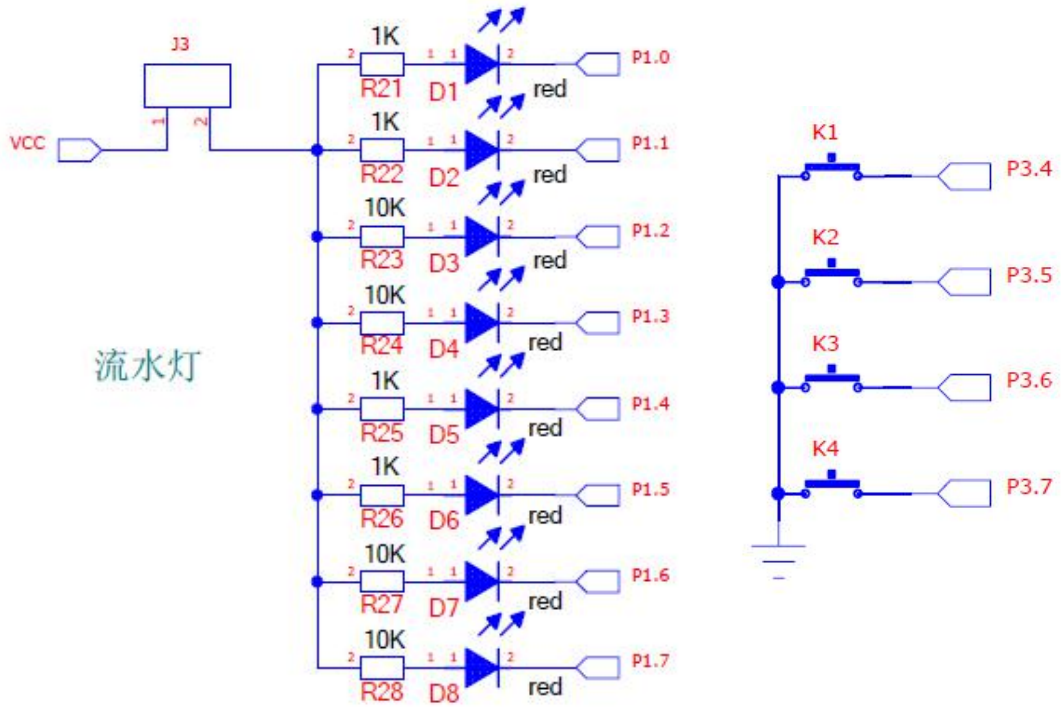
3





1

|    |    |    |    |    |    |    |    |    |    |    |   |
|----|----|----|----|----|----|----|----|----|----|----|---|
| K1 | D1 | D2 | D3 | D4 | K2 | D5 | D6 | D7 | D8 | K3 | 8 |
|    |    |    | K4 | 8  |    |    |    |    |    |    |   |



2

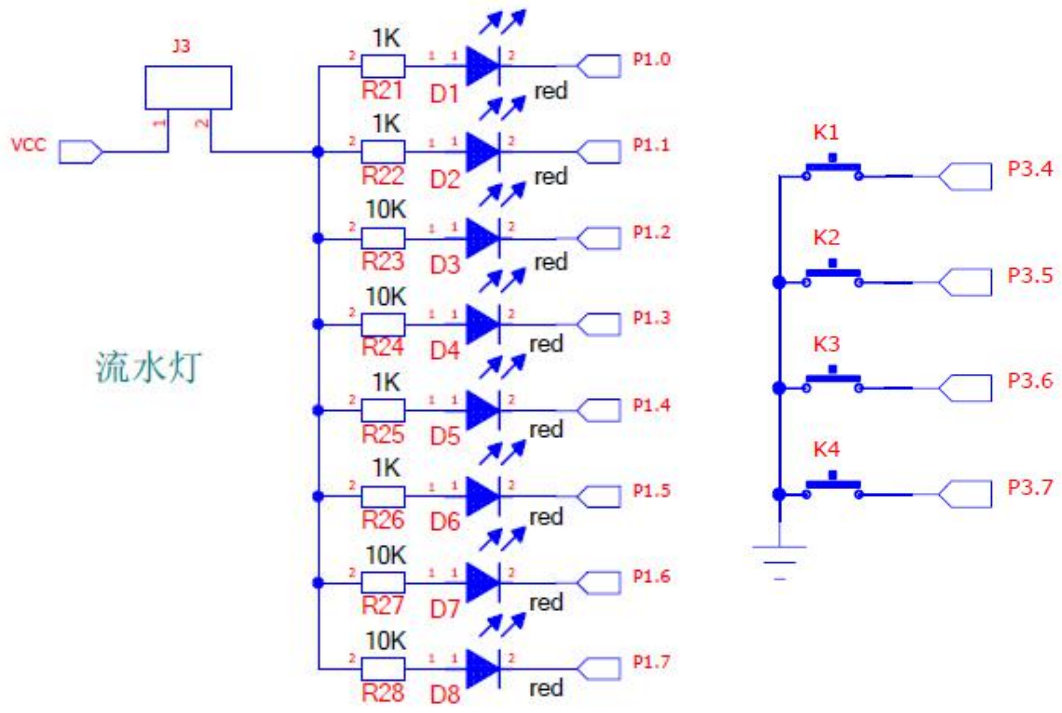
PCB  
E

3



1

K1 8



2

PCB  
E

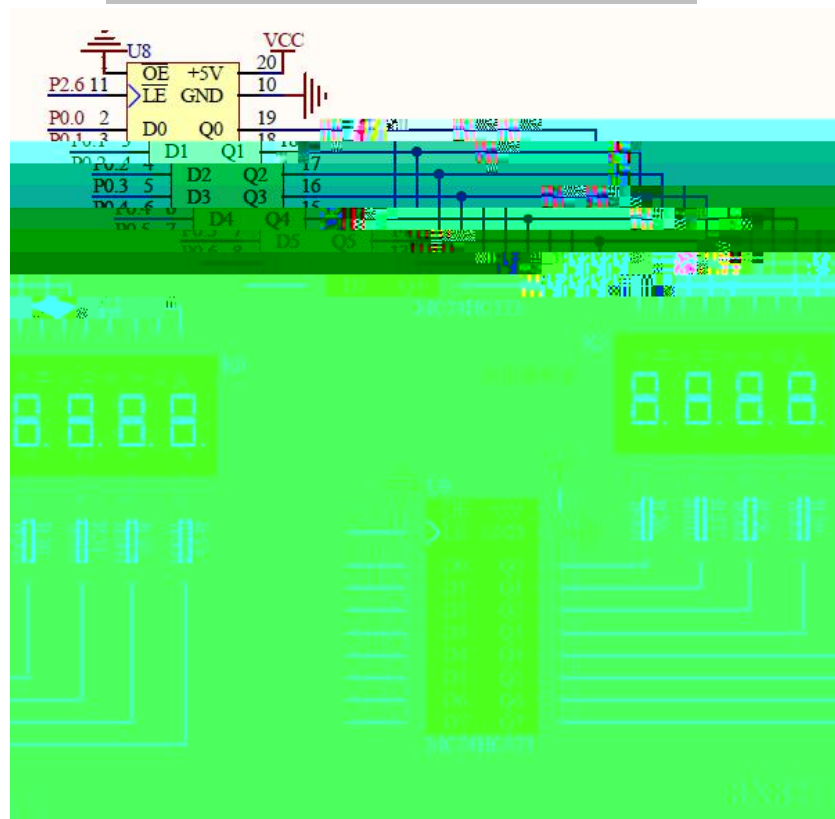
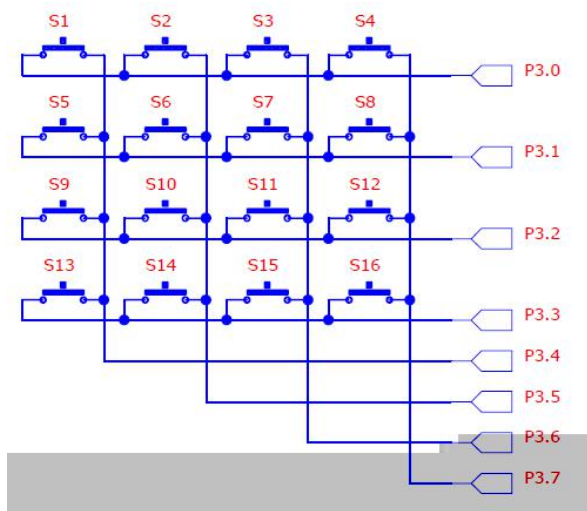
3



1

S1-S16

O-F



2

PCB

E

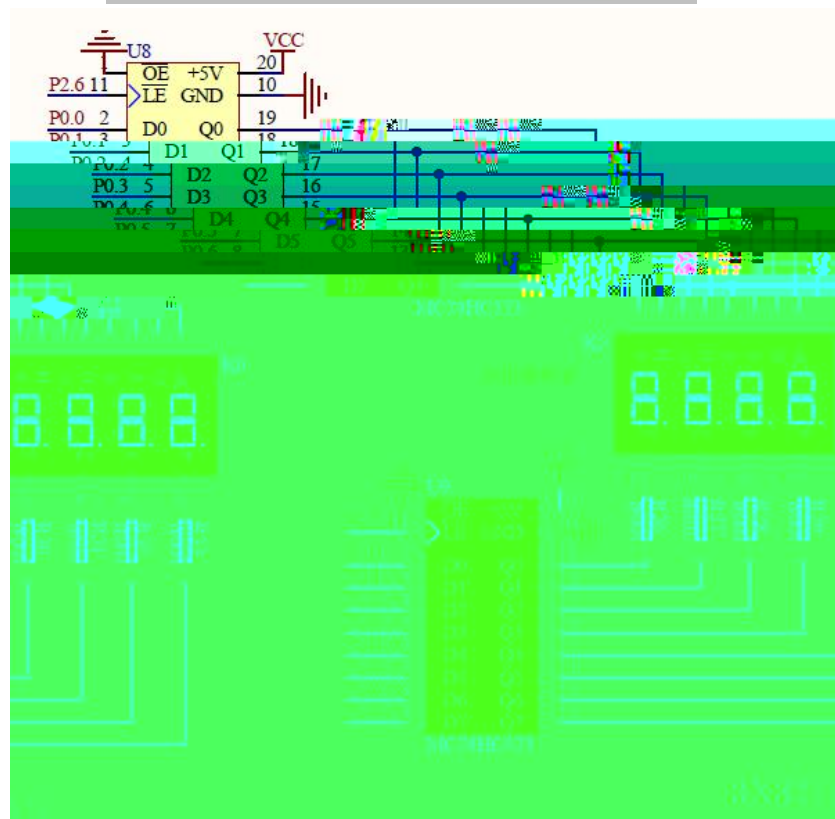
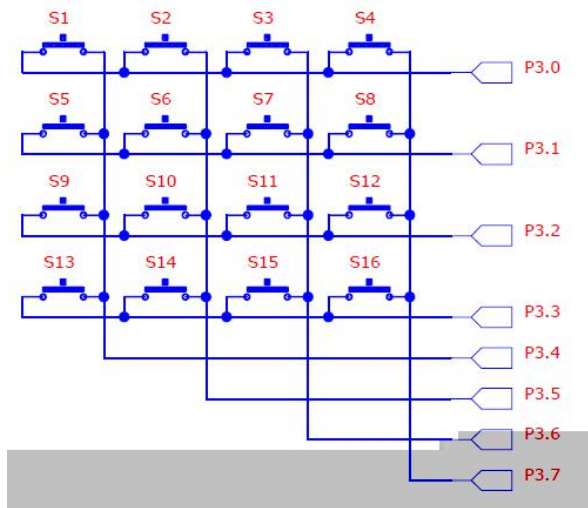
3

1

P3.2

1

9 0





2

PCB

E

3

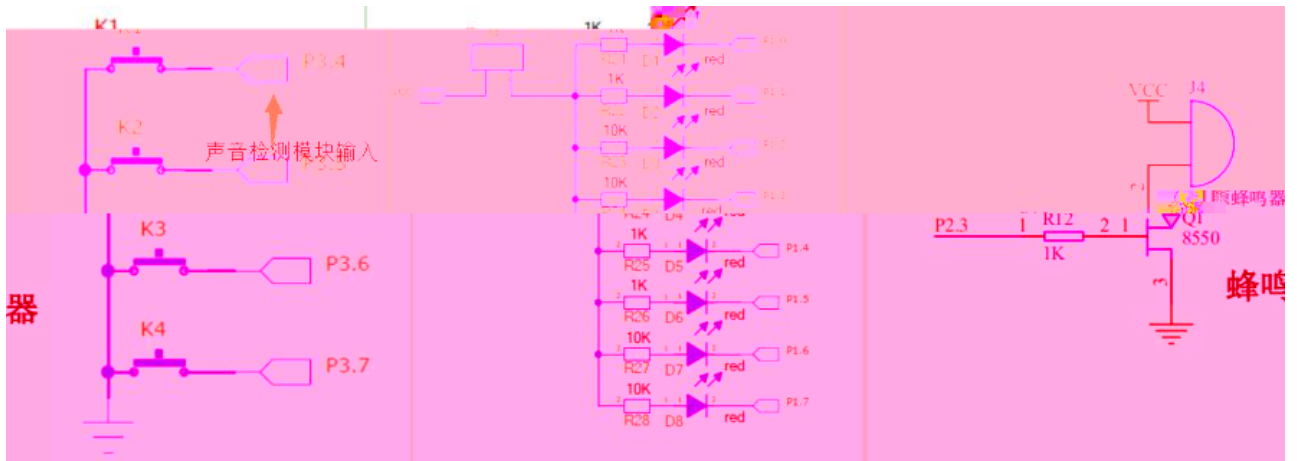
1

P3.4

1

P3.4

D1



1

2

PCB  
E

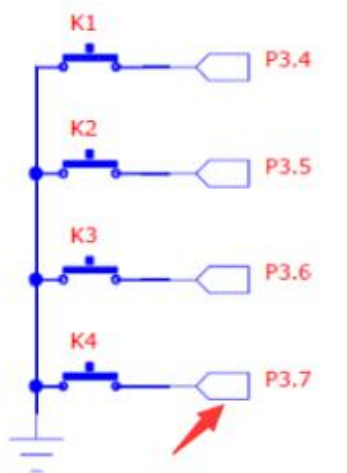
3

1

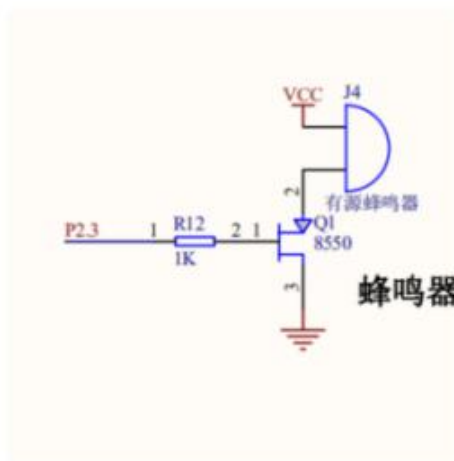
P3.7

1

P3.7



天然气检测装置信号输



1

2

PCB

E

3



1

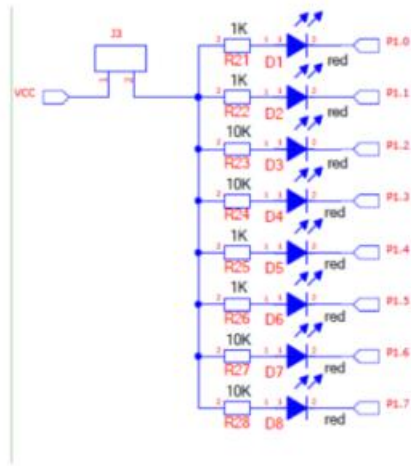
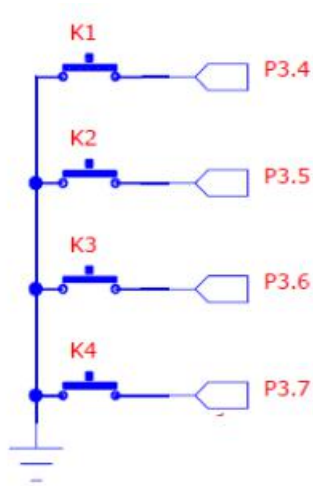
1

K1

D1

K2

D2



1

2

PCB

E

3

1

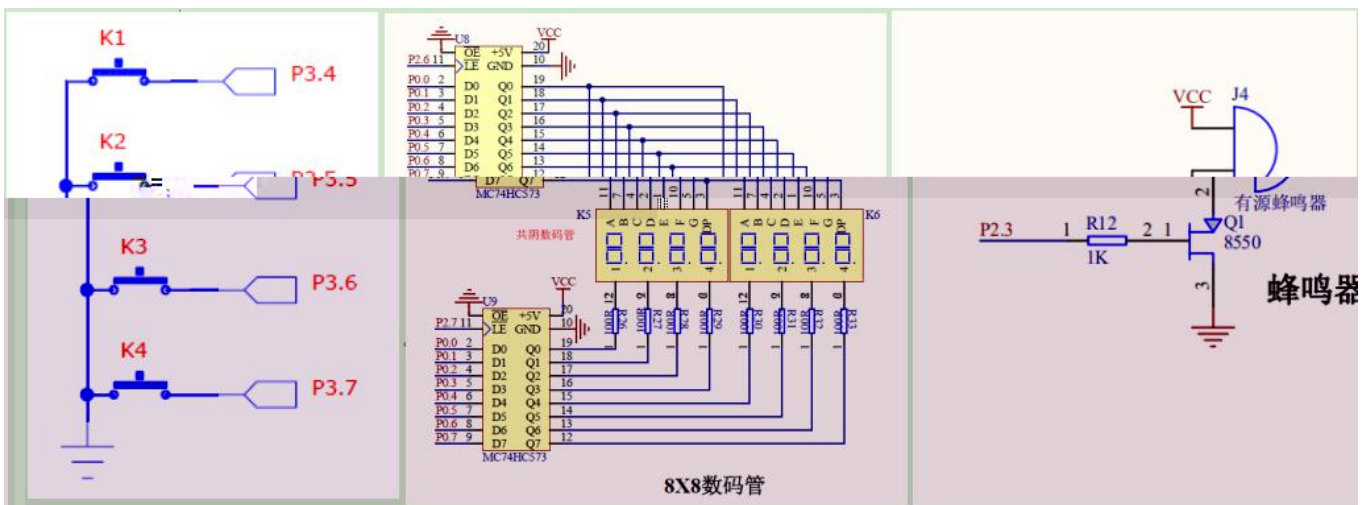
1

K1

K2 K3 K4

K1

" 1"



2

PCB

E

3



1

2



2

PCB

E

3



1

1

P3.6

P3.6



1

2

PCB

E

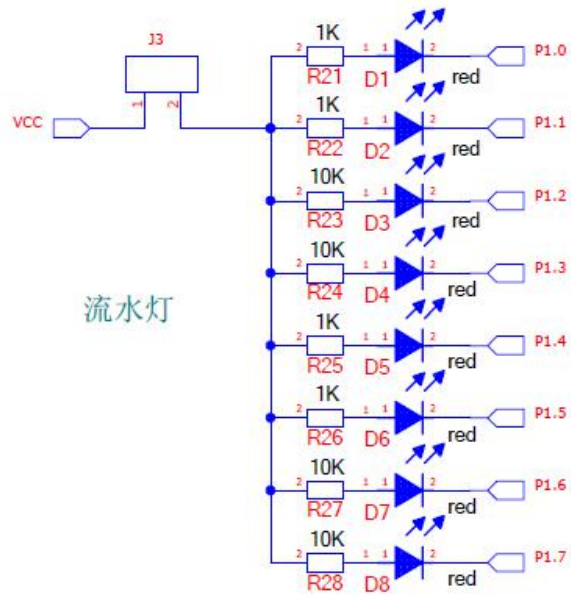
3

0



1

0.5S 0.5S



2

PCB

E

3



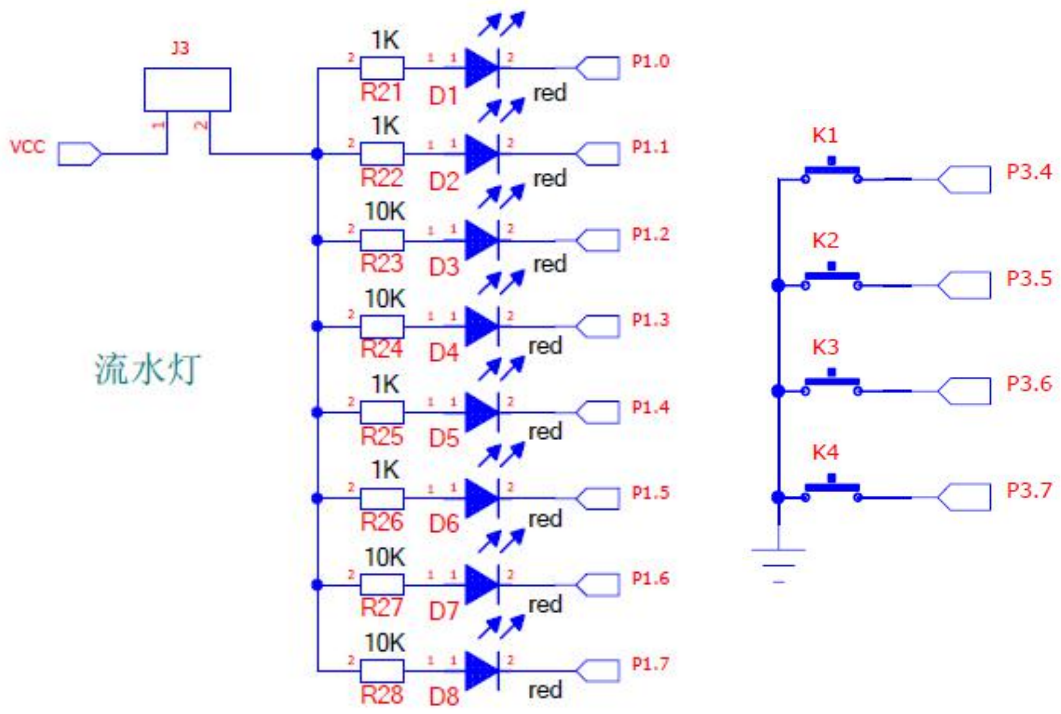
1

K1

D1-D4

K2

D5-D8



2

PCB

E

3



1

/ /

1

/ /

/ /

( )

/

1 0

|    |  |    |   |  |   |  |
|----|--|----|---|--|---|--|
|    |  |    |   |  |   |  |
|    |  |    |   |  |   |  |
| 20 |  | 10 |   |  | 0 |  |
|    |  |    | 1 |  |   |  |
|    |  | 10 | 2 |  |   |  |
|    |  |    | 3 |  |   |  |

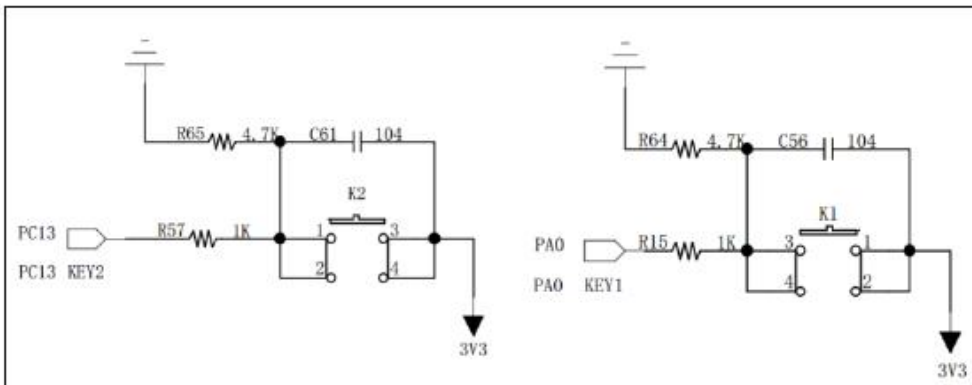
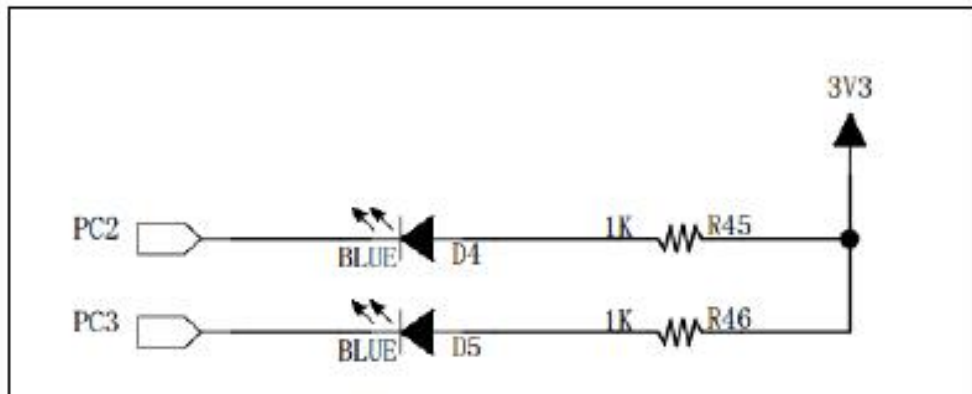
|    |  |    |             |     |
|----|--|----|-------------|-----|
|    |  |    | 4           |     |
|    |  |    | 5           |     |
| 30 |  | 10 |             |     |
|    |  | 5  |             |     |
|    |  | 5  |             |     |
|    |  | 10 |             |     |
| 50 |  | 5  |             |     |
|    |  | 5  | 1<br>2      | PCB |
|    |  | 10 |             |     |
|    |  | 15 | 1<br>2<br>3 |     |
|    |  | 15 |             |     |

5

18



1



2

3



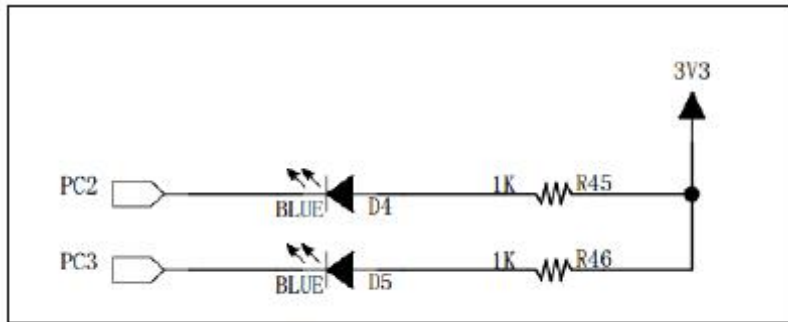
1



2

3

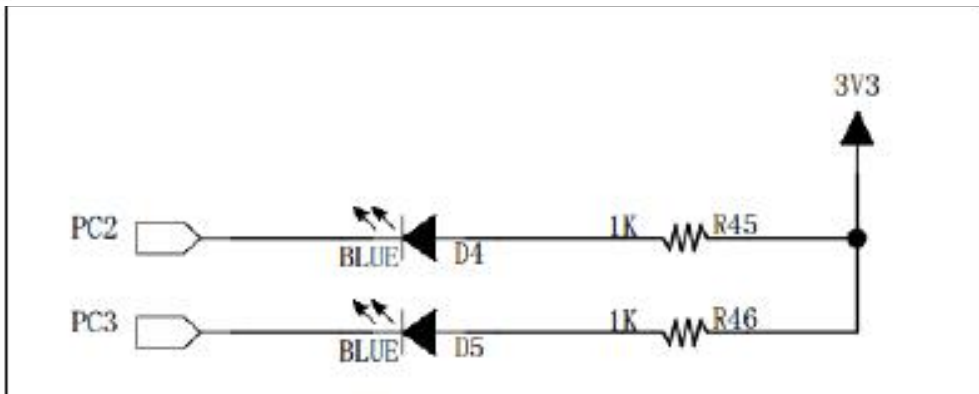
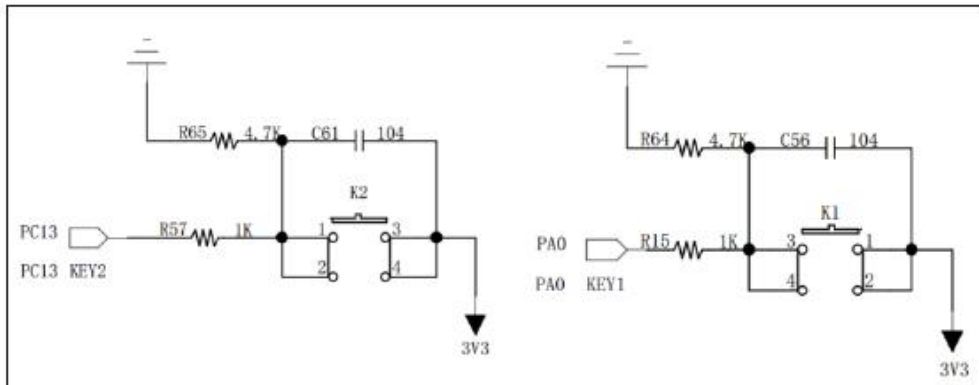
1



2

3

1



2

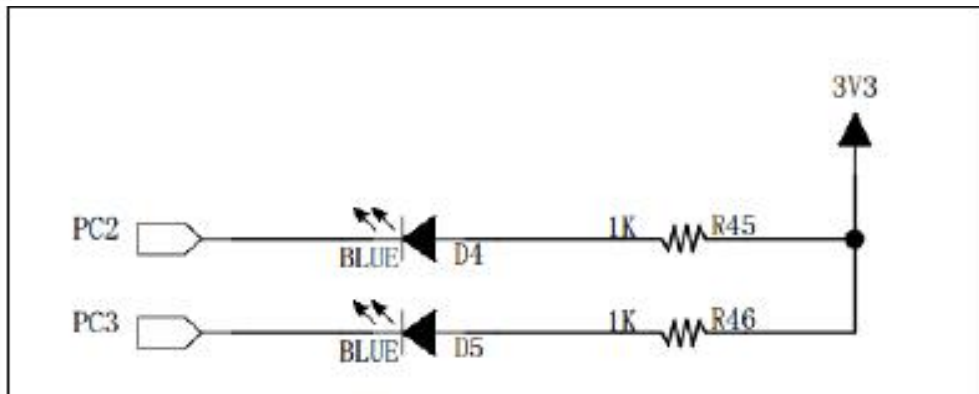
3



1



2



3





1

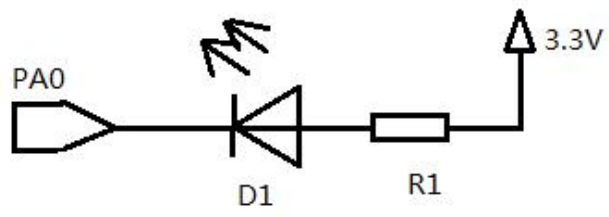
|    |  |  |    |
|----|--|--|----|
| 1  | VBAT   | VDD  | 64 |
| 2  | PC13/ANT1                                    | VSS  | 63 |
| 3  | PC14/OSC32                                   | PB9/TIM4_CH4/SDIO_D5                       | 62 |
| 4  | PC15/OSC32                                   | PB8/TIM4_CH3/SDIO_D4                       | 61 |
| 5  | PD0/OSCIN                                    | ...  | 60 |
| 6  | PD1/OSCOUT                                   | ... BOOT0                                  | 59 |
| 7  | NRST   | PB7/I2C1_SDA/TIM4_CH2                      | 58 |
| 8  | PC0/ADC10                                    | PB6/I2C1_SCL/TIM4_CH1                      | 57 |
| 9  | PC1/ADC11                                    | PB5/I2C1_SMBA/SPI3_MOSI/I2S3_SD            | 56 |
| 10 | PC2/ADC12                                    | PB4/JNTRST/SPI3_MISO                       | 55 |
| 11 | PC3/ADC13                                    | PB3/JTDO/SPI3_SCK/I2S3_CK                  | 54 |
| 12 | VSSA   | PD2/U5_RX/TIM3_ETR/SDIO_CMD                | 53 |
| 13 | VDDA   | PC12/U5_TX/SDIO_CK                         | 52 |
| 14 | PA0/WKUP/ADC0/TIM2_CH1_ETR/TIM5_CH1/TIM8_ETR | PC11/U4_RX/SDIO_D3                         | 51 |
| 15 | PA1/ADC1/TIM2_CH2/TIM5_CH2                   | PC10/U4_TX/SDIO_D2                         | 50 |
| 16 | PA2/U2_TX/ADC2/TIM2_CH3/TIM5_CH3             | PA15/JTDI/SPI3_NSS/I2S3_WS                 | 49 |
| 17 | PA3/U2_RX/ADC3/TIM2_CH4/TIM5_CH4             | PA14/JTCK/SWCLK                            | 48 |
| 18 | VSS  | VDD  | 47 |
| 19 | VDD  | VSS  | 46 |
| 20 | PA4/SPI1_NSS/ADC4/DAC1                       | PA13/JTMS/SWDIO                            | 45 |
| 21 | PA5/SPI1_SCK/ADC5/DAC2                       | PA12/CAN_TX/USBDP/TIM1_ETR                 | 44 |
| 22 | PA6/SPI1_MISO/ADC6/TIM3_CH1/TIM8_BKIN        | PA11/CAN_RX/USBDM/TIM1_CH4                 | 43 |
| 23 | PA7/SPI1_MOSI/ADC7/TIM3_CH2/TIM8_CHIN        | PA10/U1_RX/TIM1_CH3                        | 42 |
| 24 | PC4/ADC14                                    | PA9/U1_TX/TIM1_CH2                         | 41 |
| 25 | PC5/ADC15                                    | PA8/TIM1_CH1/MCO                           | 40 |
| 26 | PB0/ADC8/TIM3_CH3/TIM8_CH2N                  | PC9/TIM8_CH4/SDIO_D1                       | 39 |
| 27 | PB1/ADC9/TIM3_CH4/TIM8_CH3N                  | PC8/TIM8_CH3/SDIO_D0                       | 38 |
| 28 | PB2/BOOT1                                    | PC7/I2S3_MCK/TIM8_CH2/SDIO_D7              | 37 |
| 29 | PB10/U3_TX/I2C2_SCL                          | PC6/I2S2_MCK/TIM8_CH1/SDIO_D6              | 36 |
| 30 | PB11/U3_RX/I2C2_SDA                          | PB15/SPI2_MOSI/I2S2_SD/TIM1_CH3N           | 35 |
| 31 | VSS  | PB14/SPI2_MISO/TIM1_CH2N                   | 34 |
| 32 | VDD  | PB13/SPI2_SCK/I2S2_CK/TIM1_CH1N            | 33 |
|    |  | PB12/SPI2_NSS/I2S2_WS/I2C2_SMBAL/TIM1_BKIN | 32 |

2

3



1



2

3

1

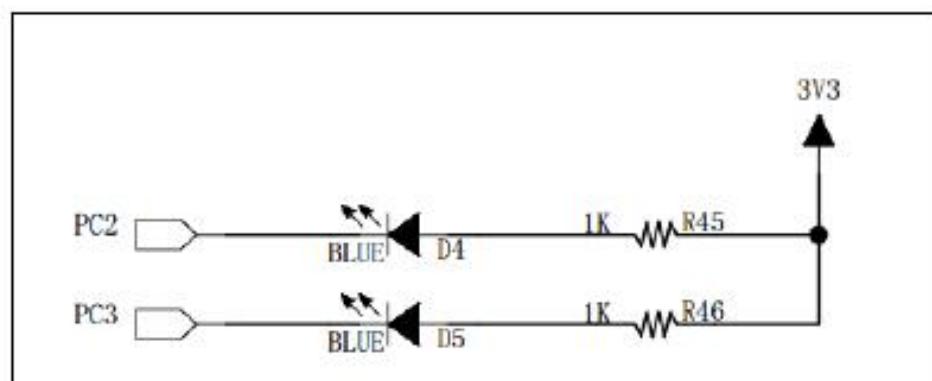
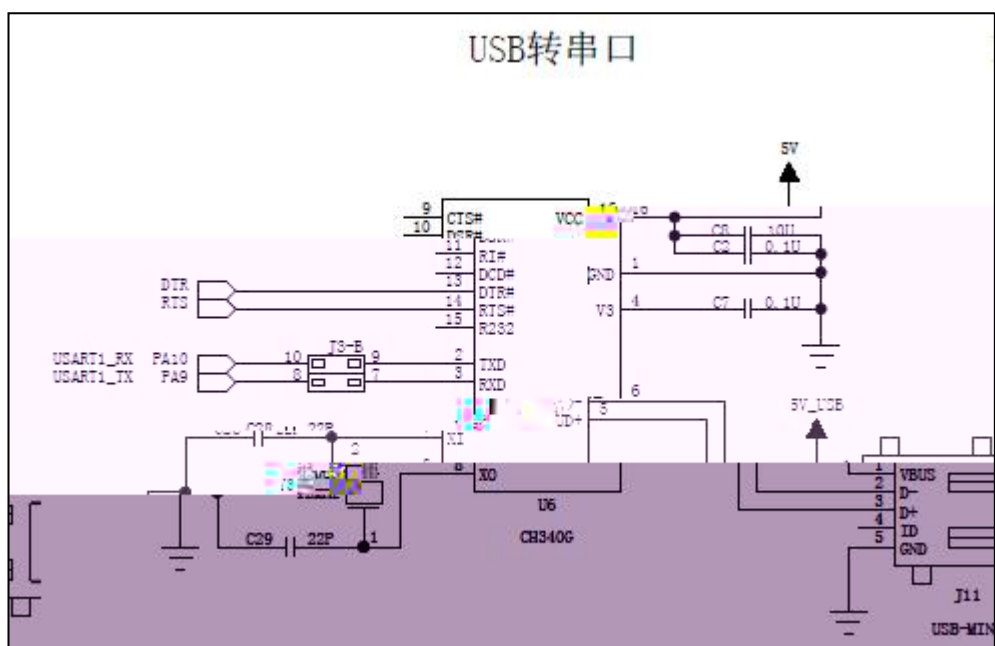
|    |  |  |    |
|----|--|--|----|
| 1  | VBAT   | VDD  | 64 |
| 2  | PC13/ANT1                                    | VSS  | 63 |
| 3  | PC14/OSC32                                   | PB9/TIM4_CH4/SDIO_D5                       | 62 |
| 4  | PC15/OSC32                                   | PB8/TIM4_CH3/SDIO_D4                       | 61 |
| 5  | PD0/OSCIN                                    | BOOT0                                      | 60 |
| 6  | PD1/OSCOU                                    | PB7/I2C1_SDA/TIM4_CH2                      | 59 |
| 7  | NRST   | PB6/I2C1_SCL/TIM4_CH1                      | 58 |
| 8  | PC0/ADC10                                    | PB5/I2C1_SMBA/SPI3_MOSI/I2S3_SD            | 57 |
| 9  | PC1/ADC11                                    | PB4/JNTRST/SPI3_MISO                       | 56 |
| 10 | PC2/ADC12                                    | PB3/JTDO/SPI3_SCK/I2S3_CK                  | 55 |
| 11 | PC3/ADC13                                    | PD2/U5_RX/TIM3_ETR/SDIO_CMD                | 54 |
| 12 | VSSA   | PC12/U5_TX/SDIO_CK                         | 53 |
| 13 | VDDA   | PC11/U4_RX/SDIO_D3                         | 52 |
| 14 | PA0/WKUP/ADC0/TIM2_CH1_ETR/TIM5_CH1/TIM8_ETR | PC10/U4_TX/SDIO_D2                         | 51 |
| 15 | PA1/ADC1/TIM2_CH2/TIM5_CH2                   | PA15/JTDI/SPI3_NSS/I2S3_WS                 | 50 |
| 16 | PA2/U2_TX/ADC2/TIM2_CH3/TIM5_CH3             | PA14/JTCK/SWCLK                            | 49 |
| 17 | PA3/U2_RX/ADC3/TIM2_CH4/TIM5_CH4             | VDD  | 48 |
| 18 | VSS  | VSS  | 47 |
| 19 | VDD  | PA13/JTMS/SWDIO                            | 46 |
| 20 | PA4/SPI1_NSS/ADC4/DAC1                       | PA12/CAN_TX/USBDF/TIM1_ETR                 | 45 |
| 21 | PA5/SPI1_SCK/ADC5/DAC2                       | PA11/CAN_RX/USBDM/TIM1_CH4                 | 44 |
| 22 | PA6/SPI1_MISO/ADC6/TIM3_CH1/TIM8_BKIN        | PA10/U1_RX/TIM1_CH3                        | 43 |
| 23 | PA7/SPI1_MOSI/ADC7/TIM3_CH2/TIM8_CHIN        | PA9/U1_TX/TIM1_CH2                         | 42 |
| 24 | PC4/ADC14                                    | PA8/TIM1_CH1/MCO                           | 41 |
| 25 | PC5/ADC15                                    | PC9/TIM8_CH4/SDIO_D1                       | 40 |
| 26 | PB0/ADC8/TIM3_CH3/TIM8_CH2N                  | PC8/TIM8_CH3/SDIO_D0                       | 39 |
| 27 | PB1/ADC9/TIM3_CH4/TIM8_CH3N                  | PC7/I2S3_MCK/TIM8_CH2/SDIO_D7              | 38 |
| 28 | PB2/BOOT1                                    | PC6/I2S2_MCK/TIM8_CH1/SDIO_D6              | 37 |
| 29 | PB10/U3_TX/I2C2_SCL                          | PB15/SPI2_MOSI/I2S2_SD/TIM1_CH3N           | 36 |
| 30 | PB11/U3_RX/I2C2_SDA                          | PB14/SPI2_MISO/TIM1_CH2N                   | 35 |
| 31 | VSS  | PB13/SPI2_SCK/I2S2_CK/TIM1_CH1N            | 34 |
| 32 | VDD  | PB12/SPI2_NSS/I2S2_WS/I2C2_SMBAL/TIM1_BKIN | 33 |

2

3



1

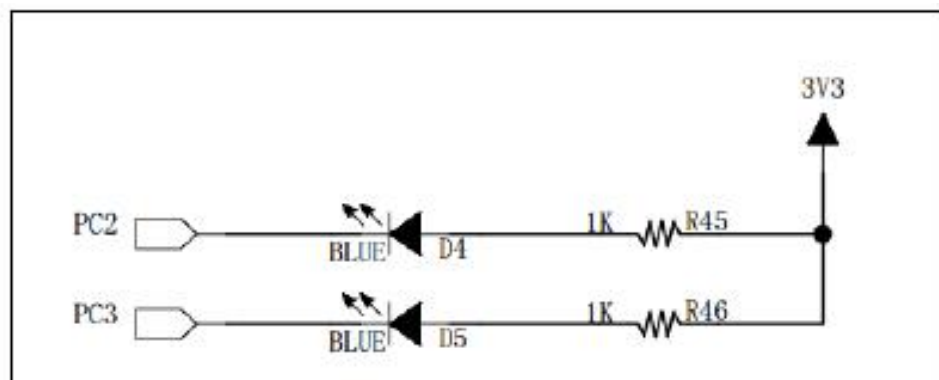
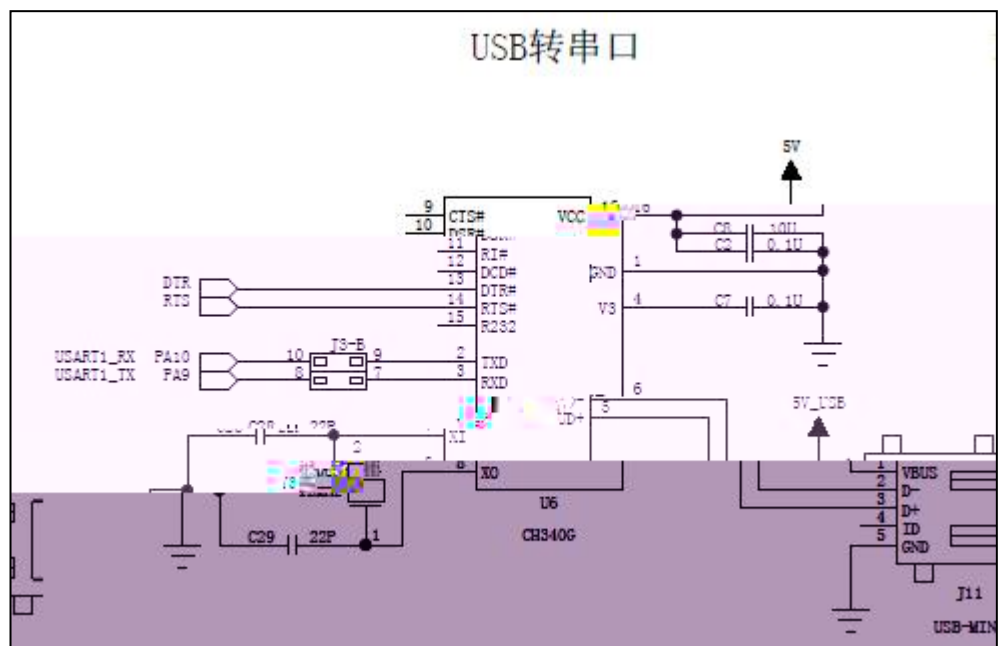


2

3

-

1



2



3

-

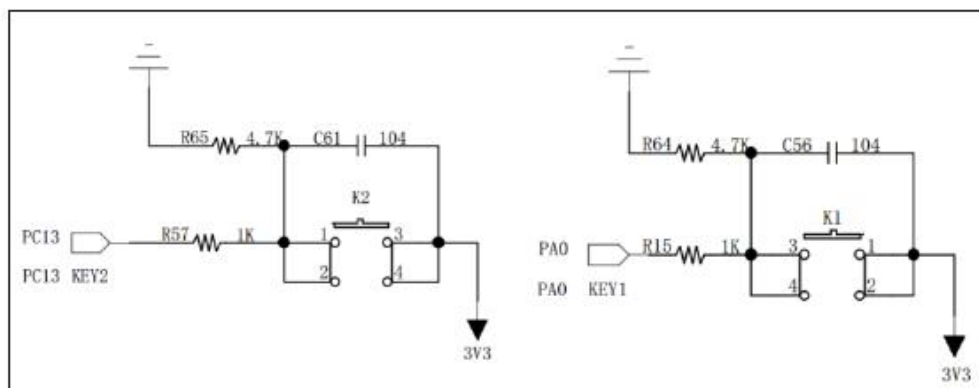
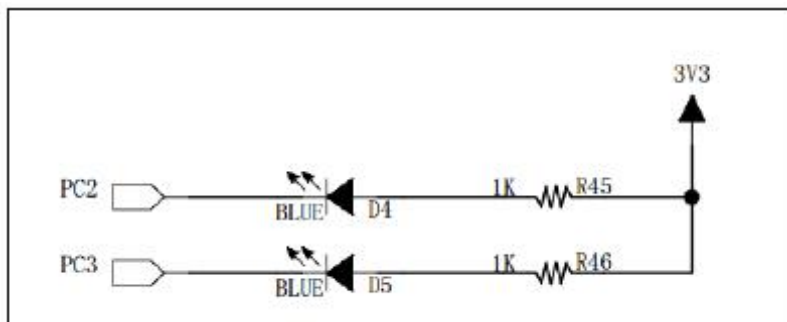
WAC

2

5



1

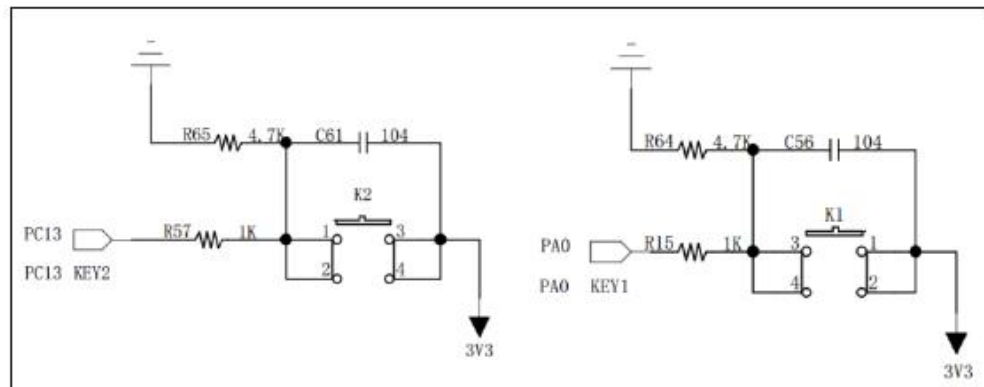
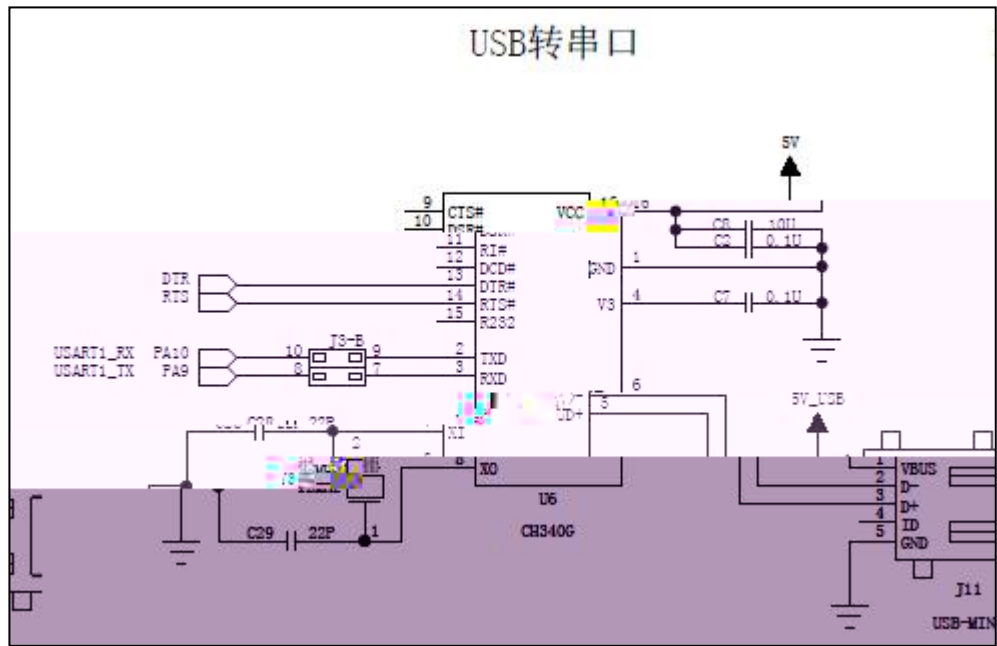


2

3

-

1

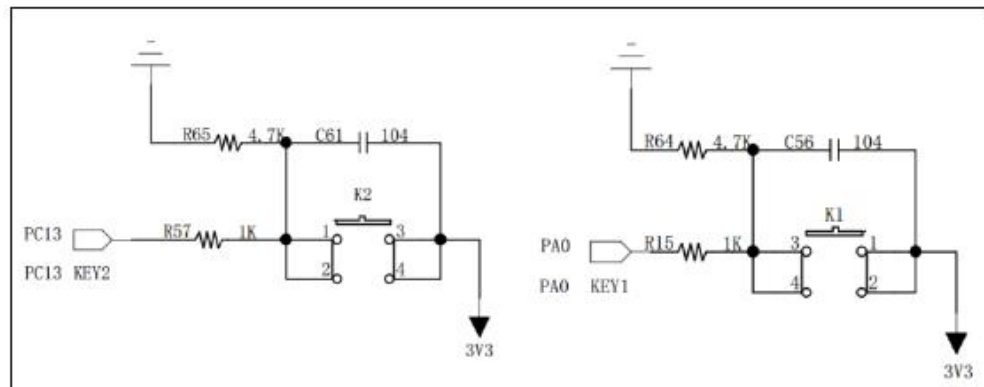
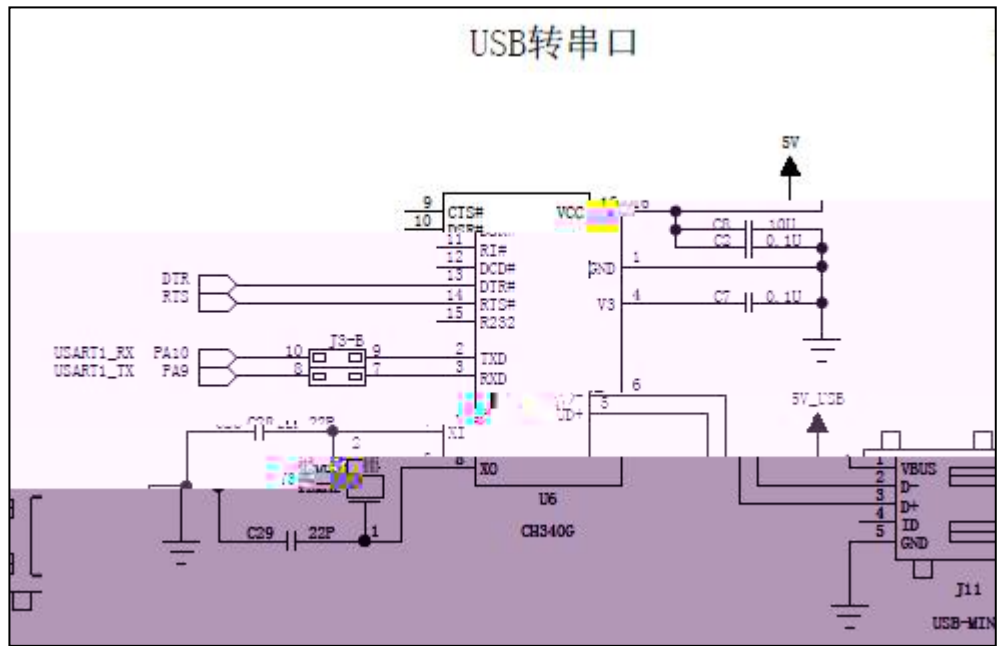


2

3

-

1

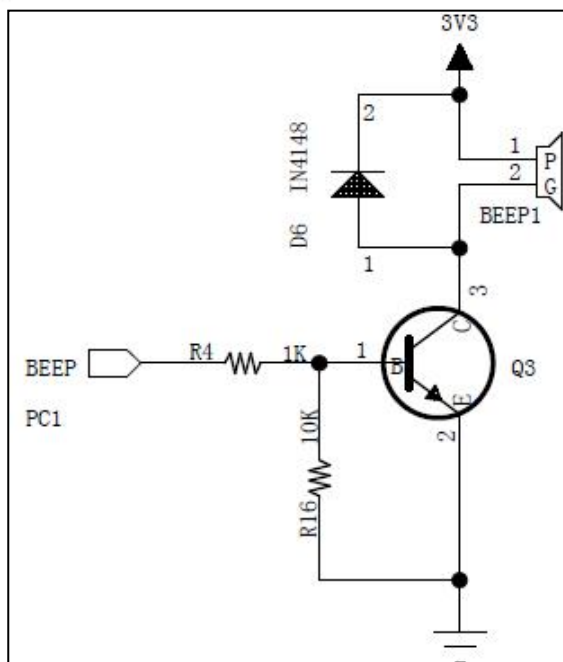


2



3

-

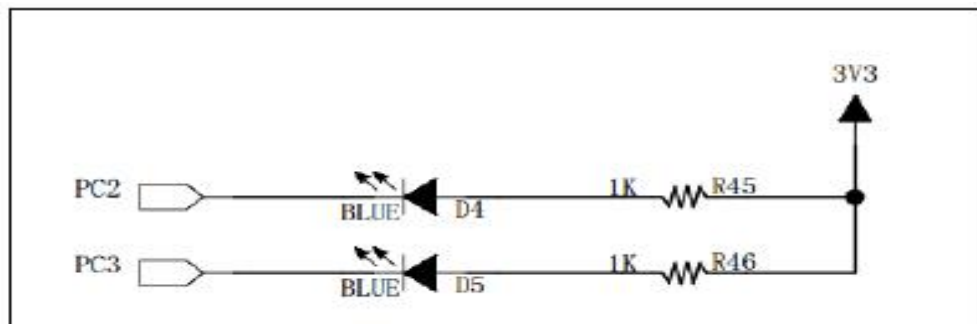


2

3

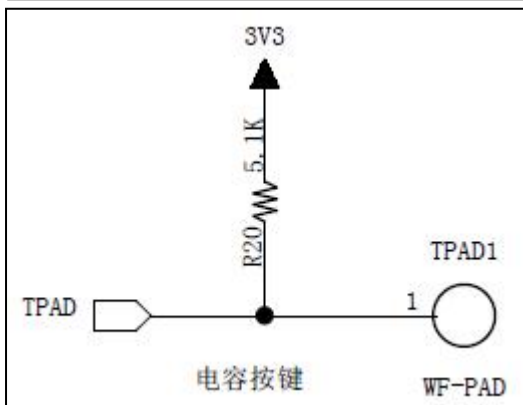
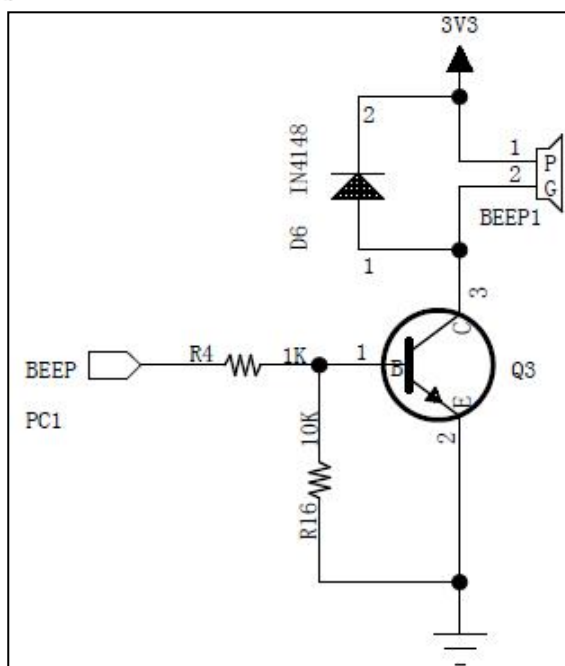
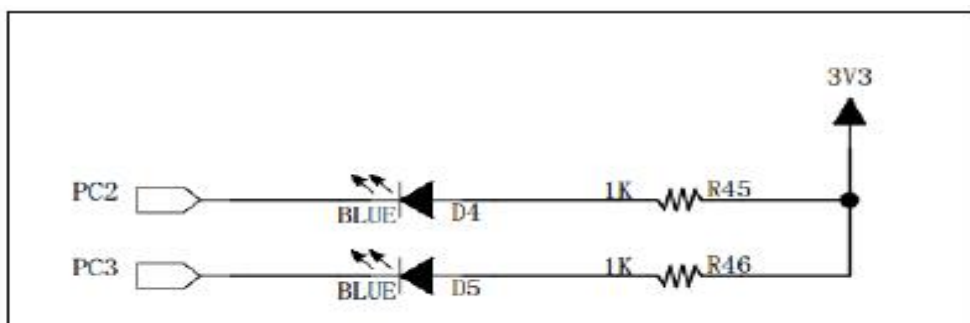
-

1



2

3

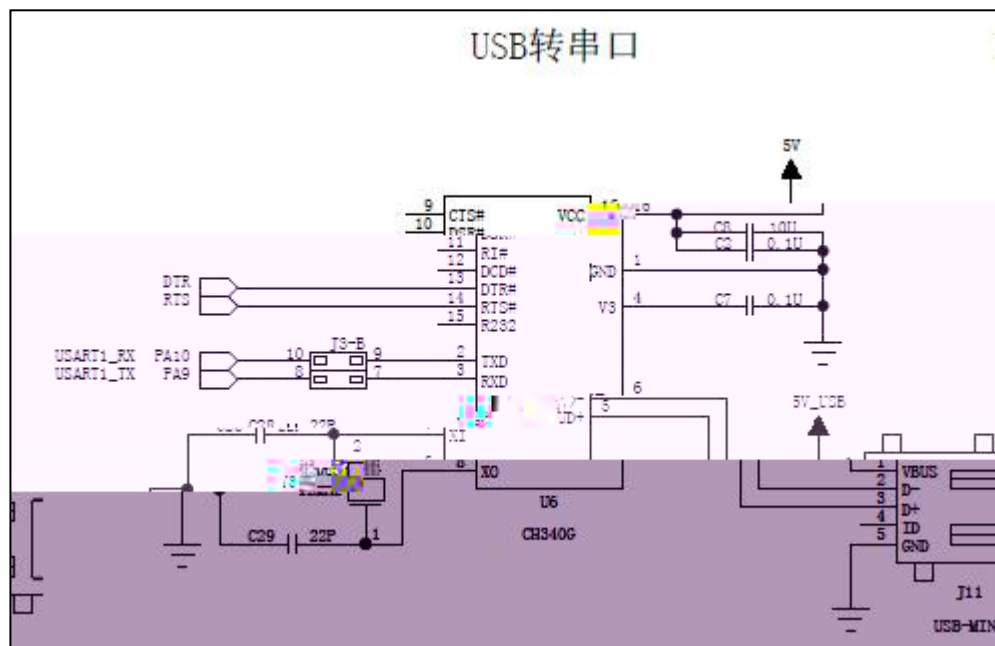
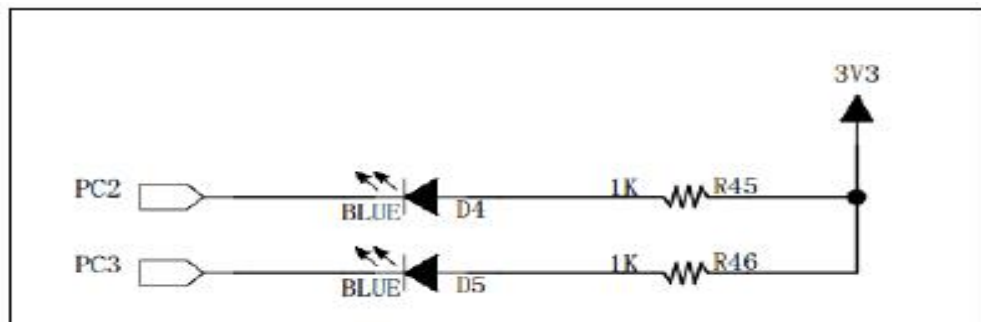


2

3

-

1



2

3

-



1

1

/ /

.0

/ /

( )

/

1 0

|    |  |    |   |  |   |  |
|----|--|----|---|--|---|--|
|    |  |    |   |  |   |  |
|    |  |    |   |  |   |  |
| 20 |  | 10 |   |  | 0 |  |
|    |  |    | 6 |  |   |  |
|    |  |    | 7 |  |   |  |
|    |  | 10 | 8 |  |   |  |
|    |  |    | 9 |  |   |  |

|    |  |    |    |  |
|----|--|----|----|--|
|    |  |    | 10 |  |
| 30 |  |    |    |  |
|    |  |    |    |  |
|    |  | 10 |    |  |
|    |  | 10 |    |  |
| 50 |  |    |    |  |
|    |  | 10 |    |  |
|    |  |    |    |  |
|    |  |    |    |  |

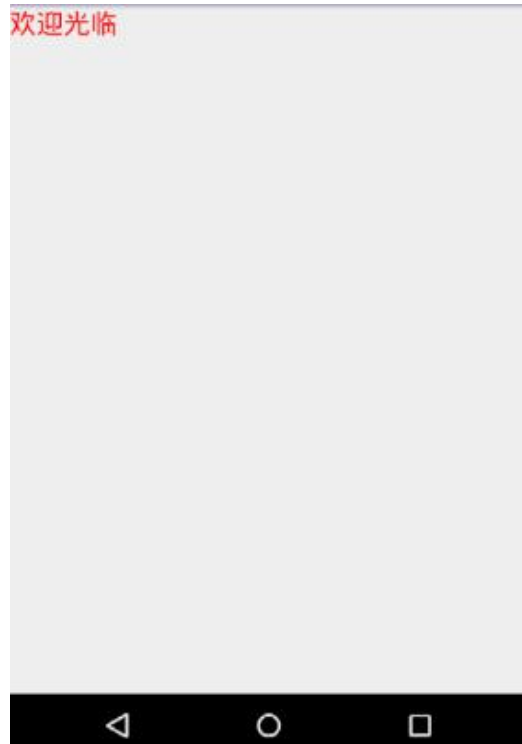
5

18

1  
2

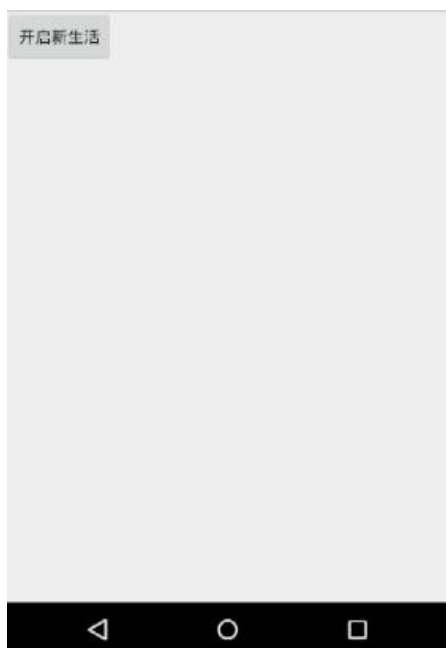
20sp

RGB #FF0000



3 :

2  
1



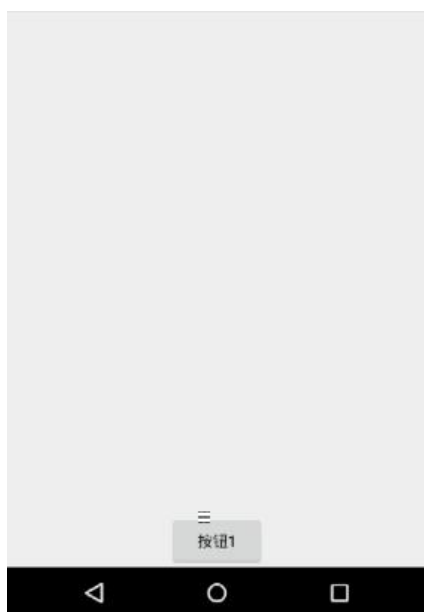
3 :

1

2

1

2



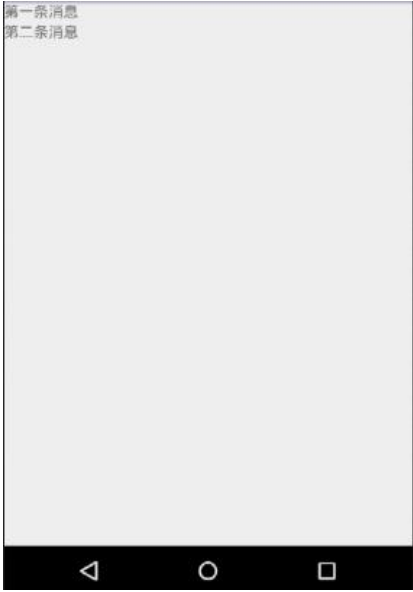
3

:

TextView

2

1



3

1

2

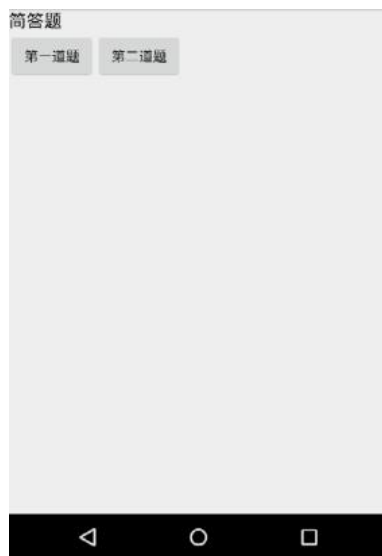


3

2

1

2



3



1

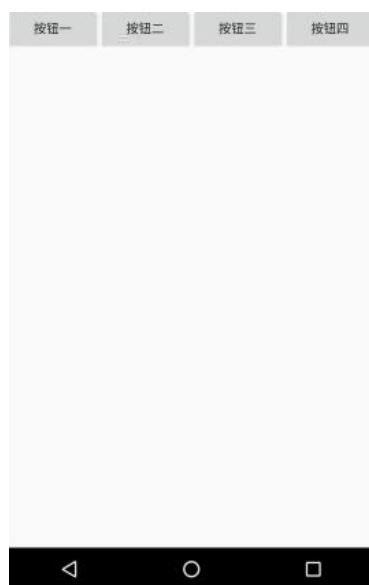
1 1 1 1

2

1

2

1 1 1 1



3

1

2

1



3

1

2

1

2



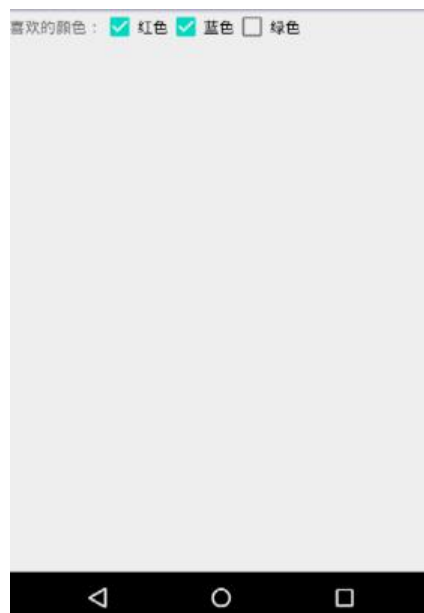
3

1

2

1

2

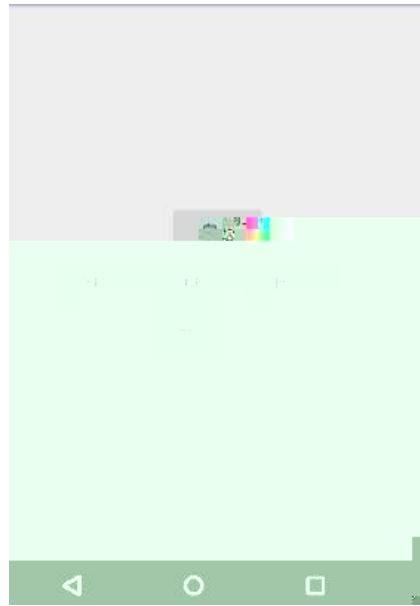


3

1

2

1



3

1

LED

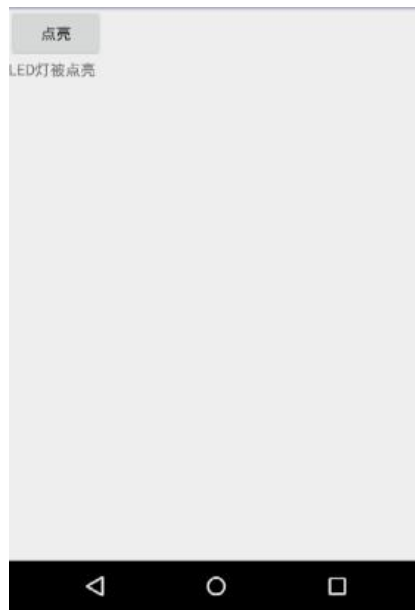
2

1

2

3

TextView LED



3

1

LED

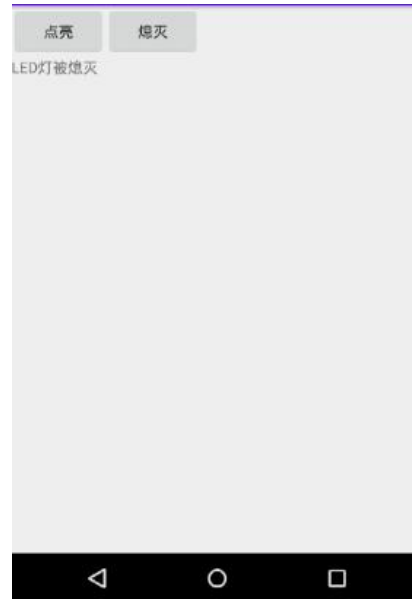
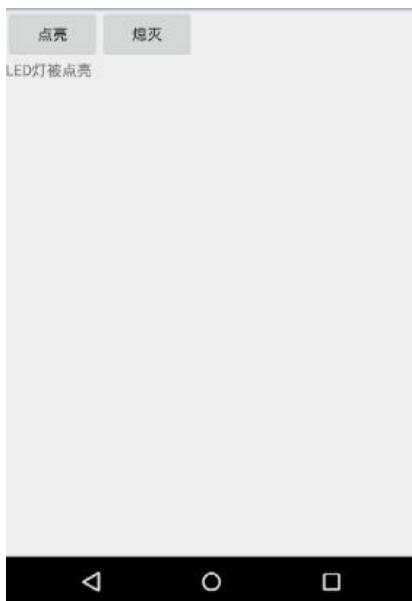
2

1

2

3

TextView LED



3

1

LED

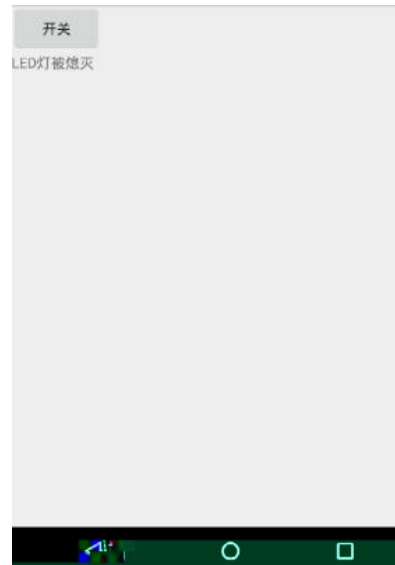
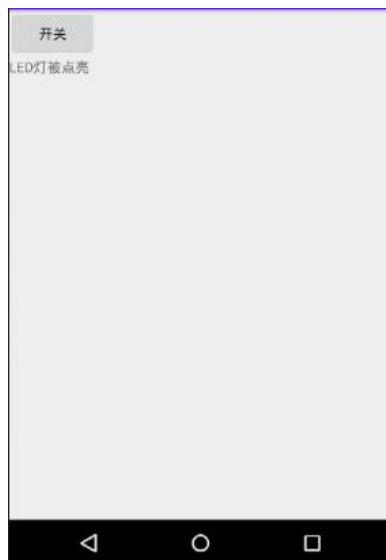
2

1

2

3

TextView LED



3



1

LED

2

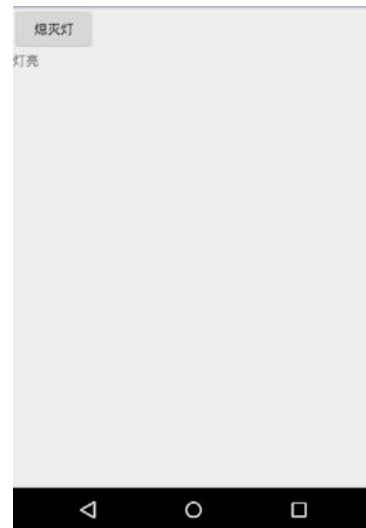
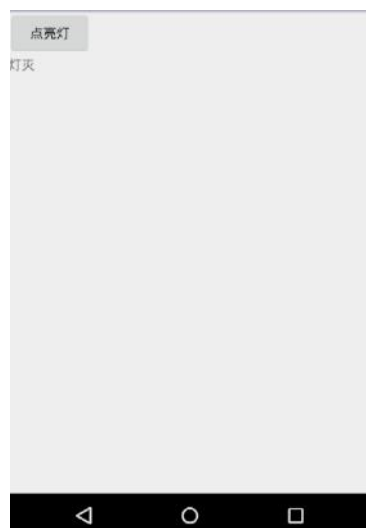
1

2

3

4

TextVi ew



3

1

LED

2

1

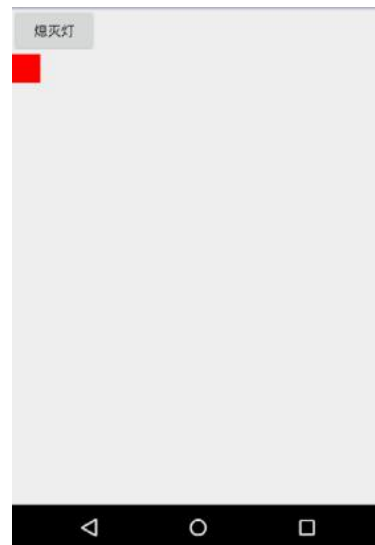
2

3

4

ImageView

30dp\*30dp



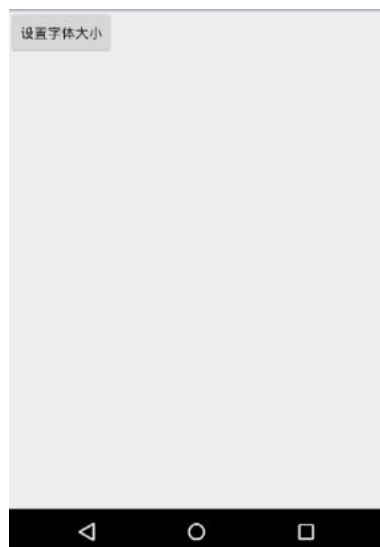
3

1

2

1

2



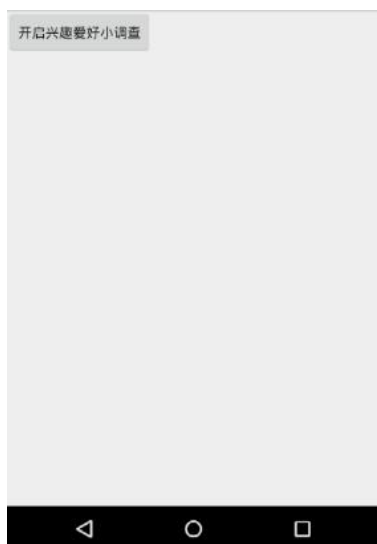
3

1

2

1

2



3